

HD35N5



DIGGING DEPTH

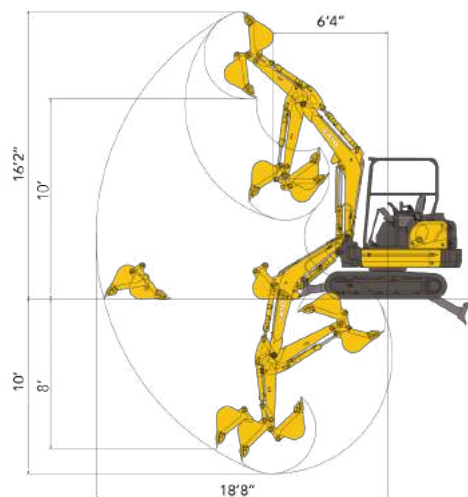
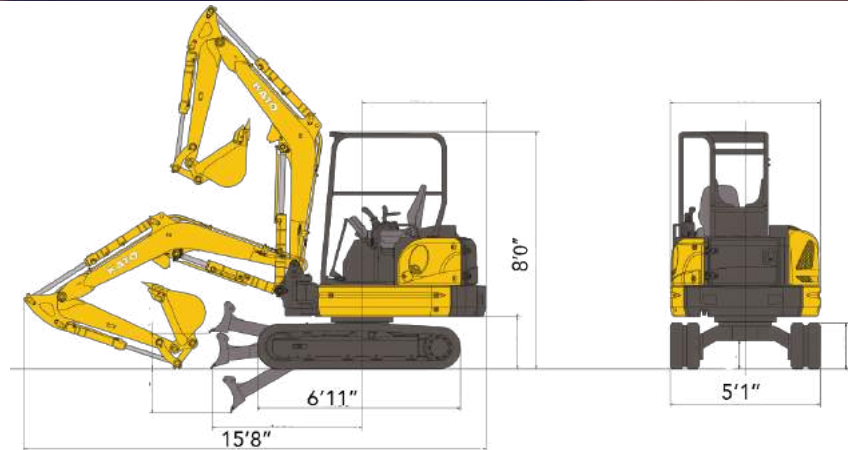
10'4"

OUTPUT RATING

22.8HP

OPERATING WEIGHT

7,979LBS



HD35N5 Mini Excavator		4 Post/ Cabin
A.	Maximum Digging Radius	18' 8"
B.	Maximum Digging Depth	10'
C.	Maximum Digging Height	16' 2"
D.	Maximum Dumping Height	10'
E.	Maximum Vertical Digging Depth	8'
F.	Minimum Front Turning Radius	6' 4"
G.	At Right Boom Swing	5'

KATO

MODEL	HD35N5
Specification	Equipped with 4-Post Canopy (Cab) ROPS
Machine Weight	7,979 lbs
Bucket Capacity	0.11m ³ / 3.9ft ³
ENGINE	OPT WT: 7,638/ 7,969
Model	YANMAR 3TNV88F
Rated Output	23 HP
Max Torque	83.9N-m/ 1,320 min ⁻¹
KEY DIMENSIONS	
Overall Length	15' 8"
Overall Height	8' 0"
Overall Width	5' 1"
Maximum Ground Clearance	11"
Tail Swing Radius	4' 2"
Crawler Shoe Length	6' 11"
Crawler Shoe Width	1' 0"

TRAVELING & SWING PERFORMANCE	H/L
Travel Speed	3/ 1.7 mph
Swing Speed	9 min ⁻¹
Gradeability	58% (30) ^o
Ground Pressure	4.35 PSI
DIGGING PERFORMANCE	
Bucket Digging Force	7,662 lbs
Arm Digging Force	4,150 lbs
HYDRAULIC SYSTEM	
Hydraulic Pump	Variable Piston Pump x 2 + Gear Pump
Swing Motor	Fixed Capacity Piston Motor
Traveling Motor	Variable Capacity Piston Motor x 2
Control Valve	10 Way Multiple Control Valve + 1 Spare circuit
Set Pressure	2,987
TANK	
Oil Reservoir	50L
Fuel Tank	42L

KATO
EXCAVATORS AND TRACK LOADERS

www.KATOCES.com

400 Production Court

Elizabethtown, KY 42701

(800) 538-1447 | Fax: (270) 737-0419